

Declaration of Conformity


We, Manufacturer/Importer

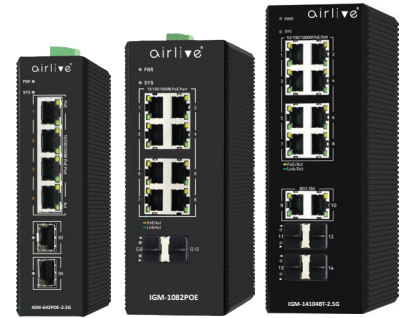
AirLive Technology Corporation
 4F, No.132, Lane 235, Baoqian Rd., Xindian Dist.,
 New Taipei City 23145, Taiwan

Declare that the product

Industrial Ring Managed PoE Switch
IGM-642POE; IGM-642BT; IGM-1082POE; IGM-1082BT
IGM-1484POE; IGM-14104BT
is in conformity with

In accordance with 2014/30/EU and 2014/35/EU Directive

Clause	Description
■ EN 55032:2015	Electromagnetic compatibility (EMC)
■ EN 62368-1	Electromagnetic compatibility (LVD)
■ CE marking	



Manufacturer/Importer

Name : A van Rossem Position/ Title : Product Manager
 Place : Republic of China (Taiwan) Date : June 2022

Regulatory Approvals

● CE Statement

This product complies with the 2014/30/EU and 2014/35/EU directives, including the following safety and EMC standards:

- EN 55032:2015+A11:2020
Electromagnetic compatibility (EMC)
- EN IEC 61000-3-2:2019
Electromagnetic compatibility (EMC)
- EN 61000-3-3:2013+A1:2019
Electromagnetic compatibility (EMC)
- EN 55035:2017+A11:2020
Electromagnetic compatibility (EMC)
- EN 62368-1:2014+A11:2017
Electromagnetic compatibility (LVD) - Safety

● RoHS Statement

This product complies with RoHS directive 2011/65/EU and amendment Commission Delegated Directive (EU)2015/863.

- IEC 62321-3-1:2013
- IEC 62321-5:2013
- IEC 62321-4:2013+AMD1:2017
- IEC 62321-7-1:2015
- IEC 62321-7-2:2017
- IEC 62321-6:2015
- IEC 62321-8:2017

● CE Marking Warning

This is a Class A product. In a domestic environment this product may cause radio interference in which case the user may be required to take adequate measures.

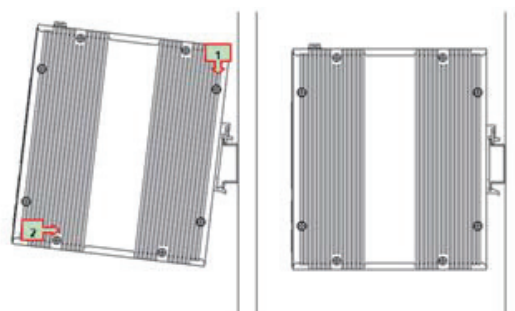
● FCC 47 CFR Part 15 Subpart B (Class A), ANSI C63.4:2014

This equipment has been tested and found to comply with the limits for a Class A digital device, pursuant to part 15 of the FCC Rules. These limits are designed to provide reasonable protection against harmful interference when the equipment is operated in a commercial environment. This equipment generates, uses, and can radiate radio frequency energy and, if not installed and used in accordance with the instruction manual, may cause harmful interference to radio communications. Operation of this equipment in a residential area is likely to cause harmful interference in which case the user will be required to correct the interference at his own expense.

Mounting the Switch

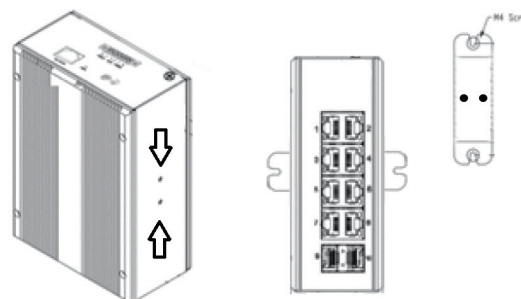
A. Din-Rail

1. Screw the DIN-Rail bracket on with the bracket and screws in the accessory kit.
2. Hook the unit over the DIN rail.
3. Push the bottom of the unit towards the DIN Rail until it snaps into place.



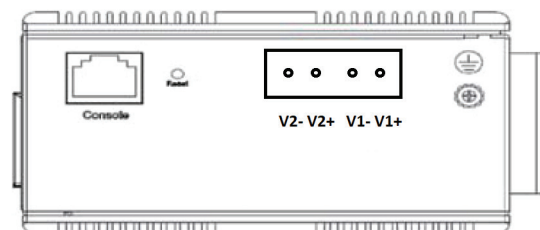
B. Wall Mount

1. Un-Screw the DIN Rail bracket from the Switch and attached the wall-mounting plate on the same location with the plate and screws in the accessory kit.



C. Power Connection

1. The DC power interface is a 4-pin terminal block with polarity signs on the top panel.
2. The Switch can be powered from two power supply (input range 48V~55V). The DC power connector is a 4-pin terminal block.



EN English

Important Information

- The default IP address: **192.168.2.1**
- The default username / password is **admin**
- The content of user's guide and associated software can be downloaded from the website (www.airlive.com)

Installation Step:

1. Connect your device's PoE port to the switch's POE port
2. Your PoE device should get the power from the switch now. If you want to change settings via web management. Please follow the instructions below.
3. Set your PC's IP address to 192.168.2.50.
4. Open your web browser and enter "192.168.2.1" to get into the switch's web management.
5. Enter "admin" for username, "admin" for password.

ES Español

Información importante

- Default IP: **192.168.2.1**
- Contraseña default: **admin**
- El contenido de la Guía de Usuario y el software asociado puede descargarse desde el sitio web (www.airlive.com)

Pasos de instalación:

1. Conecte el puerto PoE de su dispositivo al puerto PoE del switch .
2. En este momento su dispositivo PoE debe recibir energía desde el switch. Si usted desea cambiar los parámetros vía web, por favor siga las siguientes instrucciones.
3. Configure la dirección IP de su PC en 192.168.2.50.
4. Abra su navegador web e ingrese "192.168.2.1" para acceder al administrador web del switch.
5. Ingrese "admin" como nombre de usuario, "admin" como contraseña

DE Deutsch

Wichtige Information

- Die voreingestellte IP Adresse: **192.168.2.1**
- Das voreingestellte Passwort lautet **admin**
- Das Benutzerhandbuch und die benötigte Software kann auf unserer Webseite (www.airlive.com)

Installationsschritte:

1. Verbinden Sie den PoE Port ihres Gerätes mit dem PoE Port vom Switch.
2. Ihr PoE Gerät sollte jetzt den Strom vom Switch beziehen. Wenn Sie Einstellungen via Webbrowser ändern möchten, dann folgen Sie bitte den unten angegebenen Schritten:
3. Stellen Sie die IP des PC's auf 192.168.2.50.
4. Öffnen Sie ihren Browser und geben "192.168.2.1" ein. Die gelangen zur Web-Management Oberfläche.
5. Geben Sie "admin" als Benutzernamen und "admin" als Passwort ein.

PT Português

Informação Importante

- O endereço IP padrão: **192.168.2.1**
- A palavra-chave padrão é **admin**
- O conteúdo do guia do utilizador e software associado podem ser carregados através do website (www.airlive.com)

Passos de Instalação:

1. Conecte a porta do seu dispositivo PoE à porta POE do switch
2. Seu dispositivo PoE deve obter agora a energia através do switch. Se desejar alterar as configurações através do gestor web. Siga por favor as instruções em baixo.
3. Defina o endereço IP do seu PC para 192.168.2.50.
4. Abra o seu explorador web e digite "192.168.2.1" para entrar no gestor web do switch.
5. Digite "admin" para o username, "admin" para a password.